

DS-600 DS-1200



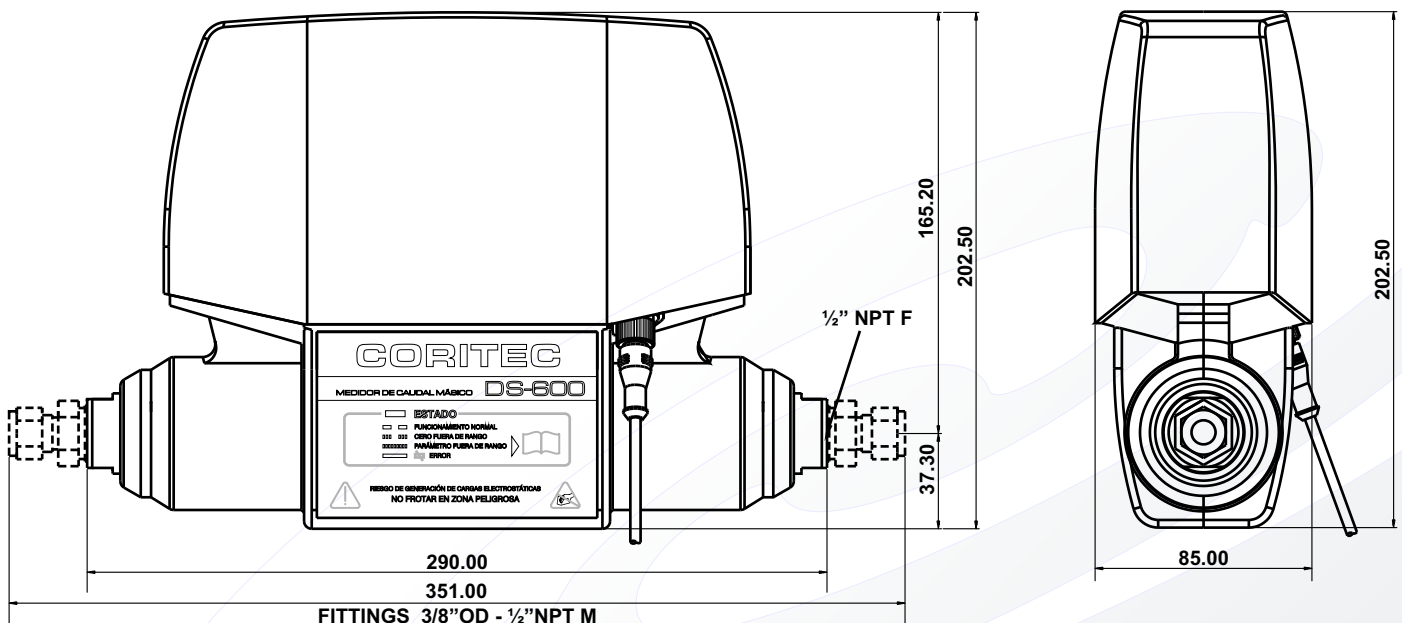
**Mass flowmeter
for CNG dispenser**

DS-600 & DS-1200

Technical specifications

Flowrate (nominal)	DS600 DS1200	0 to 35 kg/min 0 to 100 kg/min
Accuracy	DS600 DS1200	±0.25 % of flowrate + zero stability ±0.50 % of flowrate + zero stability
Zero stability	DS600 DS1200	±0.25 gr/min ±0.50 gr/min
Weight	DS600 DS1200	2.20 Kg 2.70 Kg
Operating conditions	Temperature Max pressure	-10 a + 60 °C 345 bar
Hazardous area		Ex ib IIB T2...T5 IP 65
Comunication Power supply	RS-485, MODBUS, CORITEC Protocol, Pulse 6 VDC 2.3 W	
Optional	Display LCD 1x16	
Certificate of Approval BUREAU VERITAS BVG 084-4		

Dimensions DS-600 / DS-1200



CORITEC s. r. l.

Yatay 146/148 (1184 ADB)
Buenos Aires - Argentina

Tel.: + 54 11 4981-6437
Tel.: + 54 11 4981-5742
www.coritec.com
e-mail: info@coritec.com.ar